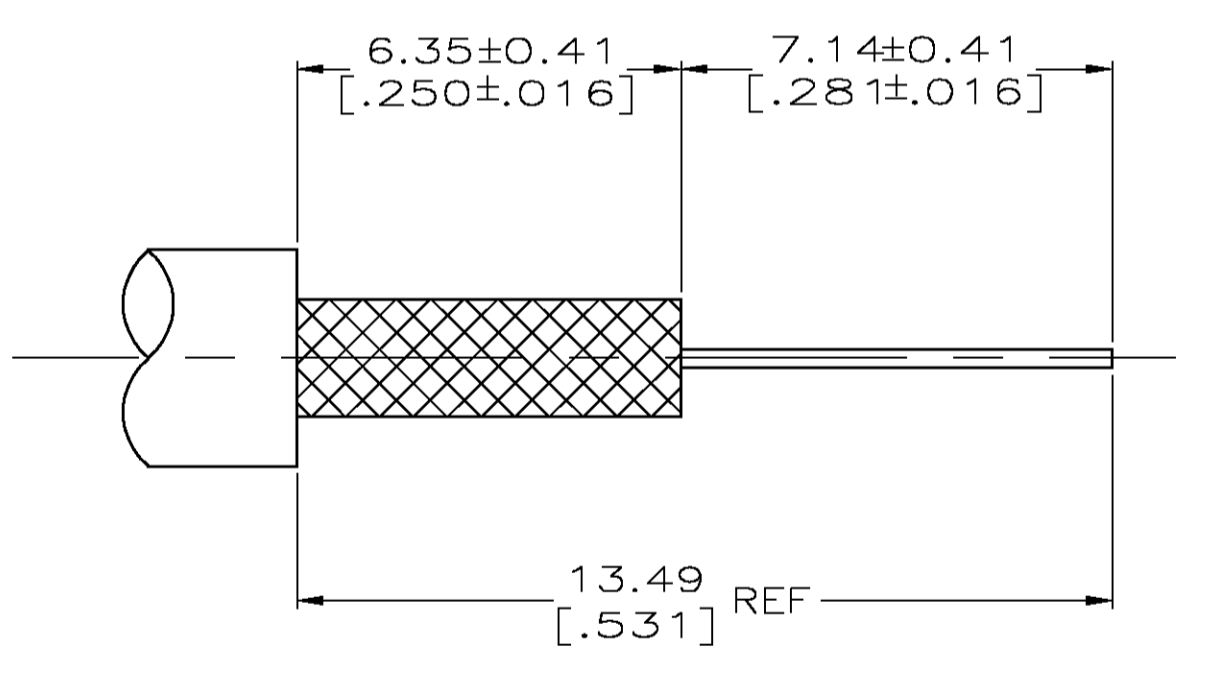
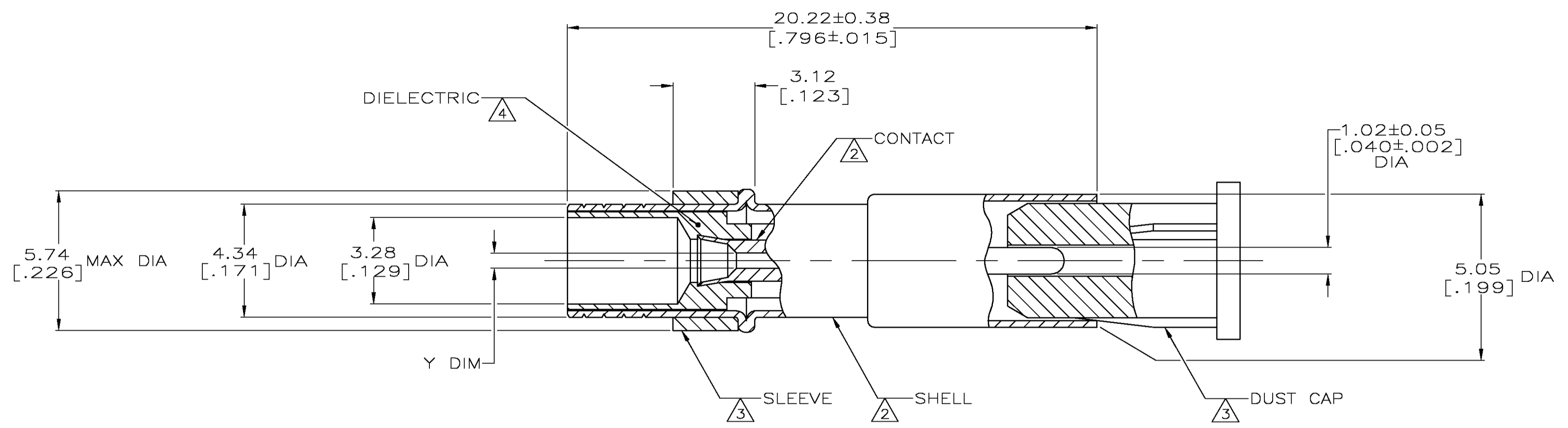


LOC	DIST	REVISIONS					
		P	LR	DESCRIPTION	DATE	DRN	APVD
AJ	16	BK	REV PER	OS14-0365-04	09-28-04	JDP	JL

- 1. SEE IS 1770
- 2. BRASS PER QQ-B-626
- 3. NYLON PER ASTM-D-4066, NATURAL.
- 4. POLYMETHYLPENTENE GENERAL PURPOSE.
- 5. .000030 MINIMUM GOLD PER MIL-G-45204.
- 6. .000100 MINIMUM GOLD PER MIL-G-45204.



RECOMMENDED STRIP LENGTH

REVISION	DATE	DESCRIPTION	PART NUMBER
OBSELETE		.042±.003	1-201146-0
		.042±.003	201146-9
SUPERSEDED BY 201146-2		.023±.003	201146-6
		.042±.003	201146-4
		.023±.003	201146-2
SUPERSEDED BY 201146-4		.042±.003	201146-1

THIS DRAWING IS A CONTROLLED DOCUMENT.		DWN B. WERNER 8-9-94	Tyco Electronics Corporation Harrisburg, Pa 17105-3608	
DIMENSIONS: mm [NCHES]		CHK J. McLEOD 8-9-94	NAME SOCKET, MINIATURE SERIES	
TOLERANCES UNLESS OTHERWISE SPECIFIED: 0. PLC ± - 1. PLC ± - 2. PLC ± 0.20 [.008] 3. PLC ± - 4. PLC ± - ANGLES ± -		APVD J. McLEOD 8-9-94	PRODUCT SPEC	
MATERIAL		APPLICATION SPEC	SIZE A1	CAGE CODE 00779
FINISH		WEIGHT	DRAWING NO 201146	RESTRICTED TO
CUSTOMER DRAWING		SCALE 8:1	SHEET 1 OF 1	REV BK